

# Capsule pressure gauge Stainless steel version Models 632.50, 633.50

WIKA data sheet PM 06.03



for further approvals  
see page 2

## Applications

- With liquid-filled case for applications with high dynamic pressure loads or vibrations <sup>1)</sup>
- For gaseous, dry and aggressive media, also in aggressive ambience
- Process industry: Chemical/petrochemical, pharmaceutical, biotechnology, machine and power generation industries

## Special features

- Zero adjustment at the front
- All stainless steel construction
- Special connection location on request
- Low scale ranges from 0 ... 2.5 mbar

<sup>1)</sup> Model 633.50



Capsule pressure gauge, model 632.50

## Description

### Design

EN 837-3

### Nominal size in mm

63, 100, 160

### Accuracy class

1.6

### Scale ranges

NS 63: 0 ... 40 mbar to 0 ... 600 mbar

NS 100: 0 ... 16 mbar to 0 ... 600 mbar

NS 160: 0 ... 2.5 mbar to 0 ... 600 mbar

or all other equivalent vacuum or combined pressure and vacuum ranges or all other equivalent vacuum or combined pressure and vacuum ranges

### Pressure limitation

Steady: Full scale value

Fluctuating: 0.9 x full scale value

### Permissible temperature

Ambient: -20 ... +60 °C

Medium: +100 °C maximum

### Temperature effect

When the temperature of the measuring system deviates from the reference temperature (+20 °C):  
max. ±0.6 %/10 K of full scale value

### Ingress protection per EN 60529 / IEC 60529

IP54 for model 632.50 (without liquid filling)

IP65 for model 633.50 (with liquid filling)

## Standard version

### Process connection

Stainless steel 316L

Lower mount (LM) or lower back mount (LBM) <sup>1)</sup>

NS 63: G ¼ B (male), SW 14

NS 100, 160: G ½ B (male), SW 22

### Pressure element

Stainless steel 316L

### Sealing

FPM/FKM

### Movement

Stainless steel

### Zero adjustment

At the front

### Dial

Aluminium, white, black lettering

### Pointer

Aluminium, black

### Case

Stainless steel

### Window

Laminated safety glass

(with liquid filling: Clear non-splintering plastic)

### Ring

Bayonet ring, stainless steel

### Filling liquid <sup>1)</sup>

Glycerine 86.5 % for scale ranges  $\geq 60$  mbar <sup>2)</sup>







1) only available for model 633.50 with NS 100, 160

2) Option accuracy class 1.0 available from  $\geq 100$  mbar

## Options

- Other process connection
- Sealings (model 910.17, see data sheet AC 09.08)
- Accuracy class 1.0 for model 632.50 and scale range  $\geq 40$  mbar (without filling liquid)
- Accuracy class 1.0 for model 633.50 and scale range  $\geq 100$  mbar (with filling liquid)
- Permissible ambient temperatures -40 ... +60 °C
- Overpressure and vacuum safety with scale range  $> 25$  mbar: 10 x full scale value  
scale range  $\leq 25$  mbar: 3 x full scale value
- Surface mounting flange
- NS 100 and 160: Panel mounting flange
- NS 100 and 160: Triangular bezel with clamp
- NS 100 and 160: From scale range  $\geq 100$  mbar switch contacts (model 831, data sheet AC 08.01)

## Approvals

Logo	Description	Country
	<b>EC declaration of conformity</b> ATEX directive 94/9/EC (option) Ignition protection type "c", constructive safety	European Community
	<b>EAC (option)</b> <ul style="list-style-type: none"><li>■ Pressure equipment directive</li><li>■ Hazardous areas (option)</li></ul>	Eurasian Economic Community
	<b>GOST</b> Metrology, measurement technology	Russia
	<b>KazInMetr</b> Metrology, measurement technology	Kazakhstan
-	<b>MTSCHS</b> Permission for commissioning	Kazakhstan
	<b>BelGIM</b> Metrology, measurement technology	Belarus
	<b>Uzstandard</b> Metrology, measurement technology	Uzbekistan
-	<b>CPA</b> Metrology, measurement technology	China

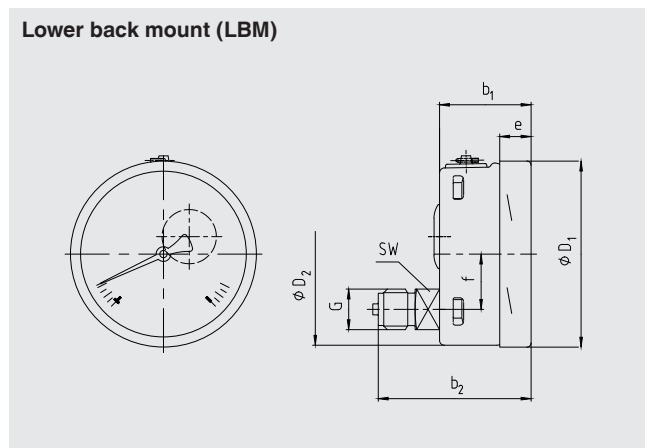
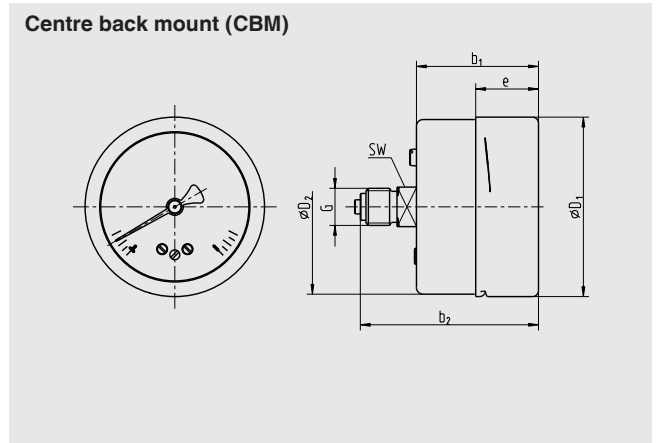
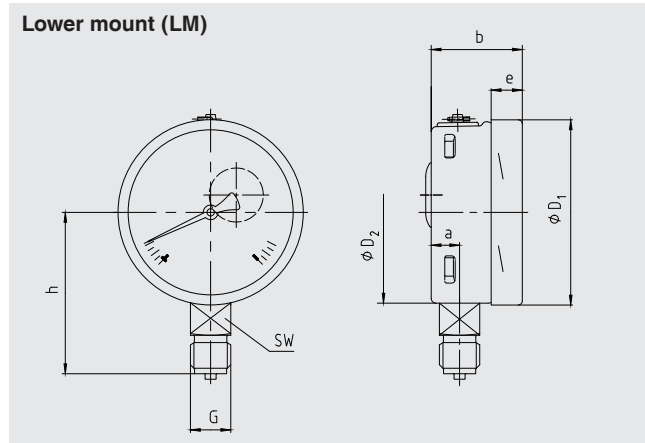
## Certificates (option)

- 2.2 test report per EN 10204
- 3.1 inspection certificate per EN 10204

Approvals and certificates, see website

## Dimensions in mm

### Standard version



NS	Dimensions in mm											Weight in kg
	a	b	b <sub>1</sub>	b <sub>2</sub>	D <sub>1</sub>	D <sub>2</sub>	e	f	G	h ±1	SW	
63	9.5	42	42	63	64	62	22	- <sup>1)</sup>	G ¼ B	52	14	0.19
100	15.5	49.5	49.5	83	101	99	17.5	30	G ½ B	87	22	0.60
160	15.5	49.5	49.5	83	161	159	17.5	50	G ½ B	118	22	1.10

Process connection per EN 837-1 / 7.3

1) With NS 63: Centre back mount (CBM)

### Ordering information

Model / Nominal size / Scale range / Connection size / Connection location / Options

© 2006 WIKA Alexander Wiegand SE & Co. KG, all rights reserved.  
The specifications given in this document represent the state of engineering at the time of publishing.  
We reserve the right to make modifications to the specifications and materials.

WIKA data sheet PM 06.03 · 01/2016

Page 3 of 3



**WIKAI**  
**WIKAI Alexander Wiegand SE & Co. KG**  
 Alexander-Wiegand-Straße 30  
 63911 Klingenberg/Germany  
 Tel. +49 9372 132-0  
 Fax +49 9372 132-406  
 info@wika.de  
 www.wika.de