

# Capsule pressure gauge Model 612.20, industrial series

WIKA data sheet PM 06.02



## Applications

- Robust design and ingress protection IP 54
- For gaseous, dry and non-aggressive media
- Medical, vacuum, environmental, laboratory technology, for contents measurement and filter monitoring

## Special features

- Zero adjustment in front
- Case from stainless steel
- Special connection location on request
- Low scale ranges from 0 ... 6 mbar



Capsule pressure gauge model 612.20

## Description

### Design

EN 837-3

### Nominal size in mm

63, 100, 160

### Accuracy class

1.6

### Scale ranges

NS 63: 0 ... 25 mbar to 0 ... 600 mbar

NS 100: 0 ... 10 mbar to 0 ... 600 mbar

NS 160: 0 ... 6 mbar to 0 ... 600 mbar

or all other equivalent vacuum or combined pressure and vacuum ranges

### Pressure limitation

Steady: Full scale value

Fluctuating: 0.9 x full scale value

### Permissible temperature

Ambient: -20 ... +60 °C

Medium: +100 °C maximum

+ 80 °C maximum (with NS 100 and 160 back mount)

### Temperature effect

When the temperature of the measuring system deviates from the reference temperature (+20 °C):

Max.  $\pm 0.6\%$ /10 K of full scale value

### Ingress protection

IP 54 per EN 60529 / IEC 529

## Standard version

### Process connection

Cu-alloy,

Lower mount (LM) or lower back mount (LBM) <sup>1)</sup>

NS 63: G ¼ B (male), 14 mm flats

NS 100, 160: G ½ B (male), 22 mm flats

### Pressure element

Cu-alloy

### Seal

NBR

### Movement

Cu-alloy

### Zero adjustment

In front

### Dial

Aluminium, white, black lettering

### Pointer

Aluminium, black

### Case

Stainless steel

### Window

Instrument glass

### Bezel ring

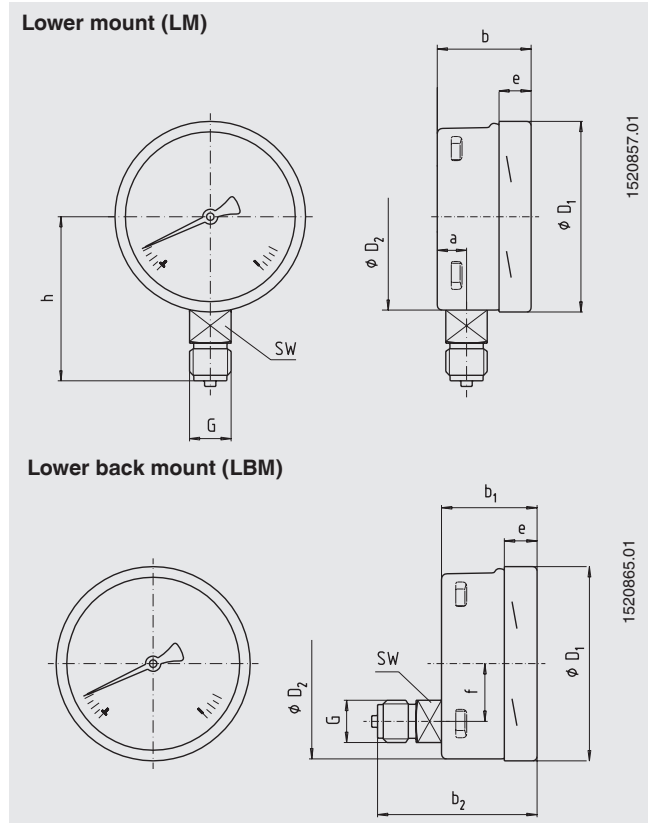
Cam ring (bayonet type), stainless steel

## Options

- Other process connection
- Overpressure and vacuum safety with
  - scale ranges > 25 mbar: 10 x full scale value
  - scale ranges ≤ 25 mbar: 3 x full scale value
- NS 100 and 160: Panel or surface mounting flange
- NS 100 and 160: Triangular bezel with clamp
- NS 100 and 160: Ingress protection IP 65
- Switch contacts model 831 (data sheet AC 08.01)

## Dimensions in mm

### Standard version



| NS  | Dimensions in mm |      |                |                |                |                |      |               |       |       | Weight in kg |      |
|-----|------------------|------|----------------|----------------|----------------|----------------|------|---------------|-------|-------|--------------|------|
|     | a                | b    | b <sub>1</sub> | b <sub>2</sub> | D <sub>1</sub> | D <sub>2</sub> | e    | f             | G     | h ± 1 |              |      |
| 63  | 9.5              | 33   | 42             | 63             | 64             | 62             | 22   | <sup>1)</sup> | G ¼ B | 52    | 14           | 0.19 |
| 100 | 15.5             | 49.5 | 49.5           | 83             | 101            | 99             | 17.5 | 30            | G ½ B | 87    | 22           | 0.60 |
| 160 | 15.5             | 49.5 | 49.5           | 83             | 161            | 159            | 17.5 | 50            | G ½ B | 118   | 22           | 1.10 |

Process connection per EN 837-3 / 7.3

<sup>1)</sup> With NS 63: Centre back mount (CBM)

### Ordering information

Model / Nominal size / Scale range / Connection size / Connection location / Options

© 2006 WIKA Alexander Wiegand SE & Co. KG, all rights reserved.  
The specifications given in this document represent the state of engineering at the time of publishing.  
We reserve the right to make modifications to the specifications and materials.



**WIKAL Alexander Wiegand SE & Co. KG**  
Alexander-Wiegand-Straße 30  
63911 Klingenberg/Germany  
Tel. (+49) 9372/132-0  
Fax (+49) 9372/132-406  
E-mail info@wika.de  
www.wika.de